

# FOOT VALVE

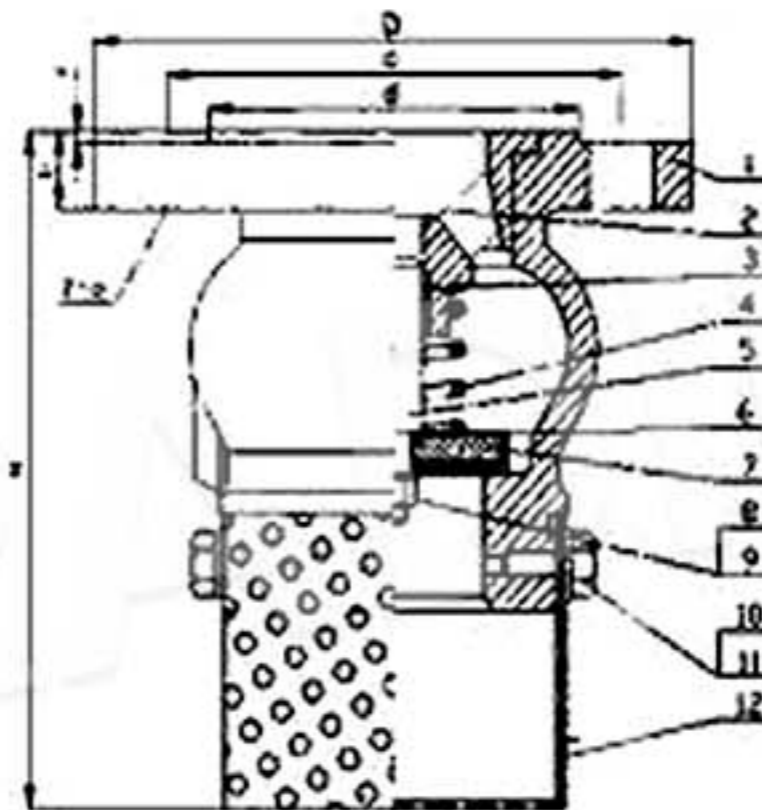


**Model : FV-A, FV-J, FV-P**

## CAST IRON SPRING FOOT VALVE FLANGED ENDS

### FEATURE AND APPLICATION

- ◆ Valve design according to : EN 12334 , ASME B16.1
- ◆ Flange end connection
- ◆ Full port area
- ◆ Stainless steel Strainer & Spring
- ◆ Applicable Medium : Water
- ◆ Flange End Connections : ANSI 150, Jis 10K, PN 10/16
- ◆ Max.Working Pressure : 150 PSI (10 Bar)
- ◆ Max.Working Temperature : -15°C To 80°C
- ◆ Strainer Perforation Dia 7.8 mm.



### Bill of Materials

Seqeybce	Description	Material	Sizes
1	Body	Cast Iron	All
2	Bonnect	Cast Iron	All
3	Bush	Brass	All
4	Spring	Stainless Steel 304	All
5	Guiding Stem	Stainless Steel	All
6	O-Ring	NBR	All
7	Disc	Cast Iron	All
8	Nut, Washer	Stainless Steel 304	All
9	Nut, Washer	Stainless Steel 304	All
10	Nut, Washer	Stainless Steel 304	All
11	Nut, Washer	Stainless Steel 304	All
12	Strainer	Stainless Steel 304	All

### Dimensions

mm

SIZE		JIS 10K				ANSI 150			PN16		
DN	INCH	H	D	C	N	D	C	N	D	C	N
50	2"	170	155	120	4	152	121	4	165	125	4
65	2.1/2"	200	175	140	4	178	140	4	185	145	4
80	3"	220	185	150	8	191	152	4	200	160	8
100	4"	265	210	175	8	229	191	8	220	180	8
125	5"	300	250	210	8	254	216	8	250	210	8
150	6"	360	280	240	8	279	241	8	285	240	8
200	8"	470	330	290	12	343	299	8	340	295	12
250	10"	570	400	355	12	406	362	12	405	355	12
300	12"	655	445	400	16	483	432	12	460	410	12

